

JC39201BLK

NiteLED™ Dome

NiteLED™ Mains IP44 Short Louvred Bollard Unlamped E27 Black

Features & Benefits

- E27 lamp holder
- Root mount kit available
- Suitable for LED lamps
- Suitable for halogen lamps



General Information

Mounting	Surface Mounted
Trade Name	NiteLED™
Environment	Outdoor
Product Group	Bollard
Color Finish	Black
Product Shape	Cylinder
Product Range	NiteLED™
Height (mm)	475
Diameter (mm)	155
Product Weight(kg)	8.23
Light Source	E27 Lamp
Luminaire Accessories	Root Mounting kit (JC39224)
Recommended product location	External Use, Walkways, Drive Ways etc.
Method of fix	Fix Using Anchor Bolts (Supplied)
IP Rating	IP44
Warranty	2 year standard warranty (See Website for terms and conditions)
Lighting Product Type 1	Exit Lighting

Customs Tariff code** 9405499090

Electrical

Voltage Rating 220-240
Operating Frequency Hz 50/60Hz
Luminaire Circuit Wattage 25W LED max or 70W Halogen max
Class I
Input Electrical Connections Live, Earth, Neutral
Dimmable No
Lampholder E27

Thermals

Operating Temperature Range °C 0 to +26

Performance Data

Energy Rating This product can contain a suitable light source of energy efficiency class from A to G
Actual Lumen Output Depending on lamp

Construction

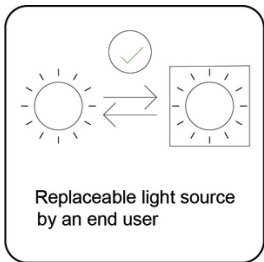
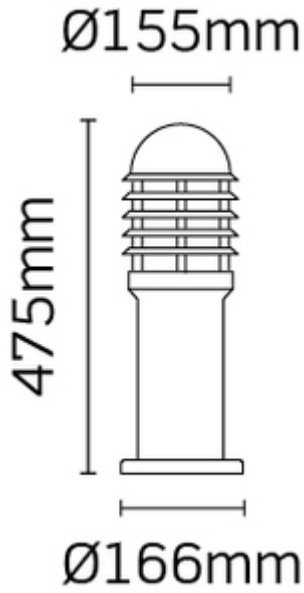
Primary Material Aluminium
Lens Opal polycarbonate

Packaging

Product Bar Code EAN-13 Number 5052544017292

Standards & Approvals

Manufactured in accordance to BS EN 60598-2-1
UKCA Marked Yes
Date code/Purchase order No. Yes
WEEE symbol Yes
Certificate Of Conformity Available on request
Accredited Members LIA, ISO9001-2015, ISO14001-2015



**JCC Lighting Limited makes every effort to ensure that the Customs Tariff information in this document is timely and accurate. However, it's not possible for us to assure the absolute veracity and completeness of that information, as errors may occur. The placement of any inaccurate tariff information is completely unintentional. JCC Lighting Limited reserves the right, in its sole discretion, to correct any errors or omissions to the tariff code and to make any and all changes contained in this document at any time and without notice. It is the sole responsibility of the importer to ensure that the commodity code advised is correct for the products/goods being supplied by JCC Lighting Limited. JCC Lighting Limited does not assume any liabilities, losses, costs, and expenses arising out of or related to the importers use of this commodity code or the information related to the import of any JCC Lighting products.

JCC Lighting LTD, Lux Park, Chichester Business Park, City Fields Way, Tangmere, Chichester, West Sussex, PO20 2FT.
Sales: 01243 838999 (8am to 5pm Monday to Friday) Fax: 01243 838998 | sales@jcc.co.uk | www.jcc.co.uk
Company Registration Number: 03044848 | VAT Number: 918544112

This document is uncontrolled if printed, all information is subject to change

Version 106 [01/05/2024]