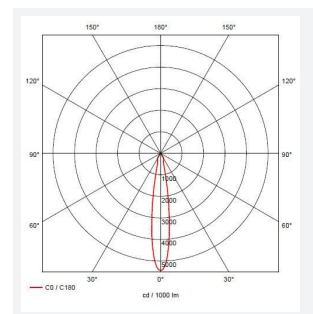
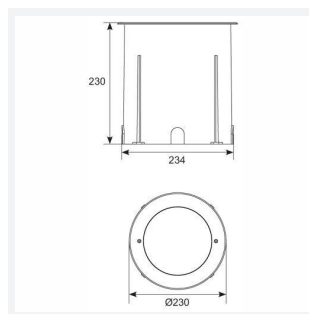




Turlock

Turlock Inground Uplight 230mm Cool White
Code: ATURWOLED/230

Category	Feature Lighting
Application	Commercial, Education, Healthcare, Hospitality, Outdoor, Residential, Retail
Specification	Architectural



PRODUCT FEATURES

- High performance inground uplight suitable for commercial, hospitality and residential applications
- Die-cast aluminium construction with 316L stainless steel top frame
- Static load test to 2000kg; suitable for vehicular and pedestrian traffic
- Supplied c/w installation housing for additional protection and ease of installation
- Pre-wired with 1 metre of rubber insulated cable
- Non-dimmable

GENERAL INFORMATION

Wattage	19W
Lumens Delivered	2200lm
Lm/W	116lm/W
Beam Angle	20
CRI	80
CCT	4000K
Input	220/240V
Operating Temp	-20°C - 25°C
SDCM	3
Cut-Out Size	210mm
Product Weight without Packaging	3.559 kg

TECHNICAL INFORMATION

Light Source	LED
Colour / Finish	Stainless Steel
IP Rating	IP67
Class Protection	1
Internal / External	External
Surface / Recessed / Suspended	Recessed
Lumen Depreciation	L70 84,000h
Warranty (Years)	5
CE Mark	Yes
Diameter	230 mm

